

| CODICE - CODE | | descrizione description | DIMENSIONI PRINCIPALI - MAIN DIMENSIONS | | | | | | | | CARICO STATICO STATIC LOAD NEWTON |
|----------------------|-------------------------|----------------------------|---|-----|------|----|-----|----|-----|-----|---|
| standard standard | antiscivolo antislip | | A | B | D | | F | G | H | H1 | |
| 11298 | 11299 | M16X100 | 33 | 100 | Ø 80 | 24 | M16 | 19 | 133 | 136 | 30000 |
| 11302 | 11303 | M16X150 | 33 | 150 | Ø 80 | 24 | M16 | 19 | 183 | 186 | 30000 |
| 11306 | 11307 | M16X200 | 33 | 200 | Ø 80 | 24 | M16 | 19 | 233 | 236 | 30000 |
| 11298/20 | 11299/20 | M20X100 | 33 | 100 | Ø 80 | 24 | M20 | 19 | 133 | 136 | 35000 |
| 11302/20 | 11303/20 | M20X150 | 33 | 150 | Ø 80 | 24 | M20 | 19 | 183 | 186 | 35000 |
| 11306/20 | 11307/20 | M20X200 | 33 | 200 | Ø 80 | 24 | M20 | 19 | 233 | 236 | 35000 |
| 11308/20 | 11309/20 | M20X225 | 33 | 225 | Ø 80 | 24 | M20 | 19 | 258 | 261 | 35000 |
| 11298/24 | 11299/24 | M24X100 | 33 | 100 | Ø 80 | 24 | M24 | 19 | 133 | 136 | 40000 |
| * 11302/24 | 11303/24 | M24X150 | 33 | 150 | Ø 80 | 24 | M24 | 19 | 183 | 186 | 40000 |
| * 11306/24 | 11307/24 | M24X200 | 33 | 200 | Ø 80 | 24 | M24 | 19 | 233 | 236 | 40000 |
| 11308/24 | 11309/24 | M24X225 | 33 | 225 | Ø 80 | 24 | M24 | 19 | 258 | 261 | 40000 |

* Disponibile con Filettatura a passo fine. Aggiungere "/P2" al codice
Available with Thin pitch thread. Please, add "/P2" to the code



| CODICE - CODE | | descrizione description | DIMENSIONI PRINCIPALI - MAIN DIMENSIONS | | | | | | | | CARICO STATICO STATIC LOAD NEWTON |
|----------------------|-------------------------|----------------------------|---|-----|------|----|-----|----|-----|-----|---|
| standard standard | antiscivolo antislip | | A | B | D | | F | G | H | H1 | |
| 11322 | 11323 | M16X100 | 33 | 100 | Ø 80 | 24 | M16 | 19 | 133 | 136 | 30000 |
| 11326 | 11327 | M16X150 | 33 | 150 | Ø 80 | 24 | M16 | 19 | 183 | 186 | 30000 |
| 11330 | 11331 | M16X200 | 33 | 200 | Ø 80 | 24 | M16 | 19 | 233 | 236 | 30000 |
| 11322/20 | 11323/20 | M20X100 | 33 | 100 | Ø 80 | 24 | M20 | 19 | 133 | 136 | 35000 |
| 11326/20 | 11327/20 | M20X150 | 33 | 150 | Ø 80 | 24 | M20 | 19 | 183 | 186 | 35000 |
| 11330/20 | 11331/20 | M20X200 | 33 | 200 | Ø 80 | 24 | M20 | 19 | 233 | 236 | 35000 |
| 11332/20 | 11333/20 | M20X225 | 33 | 225 | Ø 80 | 24 | M20 | 19 | 258 | 261 | 35000 |
| 11322/24 | 11323/24 | M24X100 | 33 | 100 | Ø 80 | 24 | M24 | 19 | 133 | 136 | 40000 |
| * 11326/24 | 11327/24 | M24X150 | 33 | 150 | Ø 80 | 24 | M24 | 19 | 183 | 186 | 40000 |
| * 11330/24 | 11331/24 | M24X200 | 33 | 200 | Ø 80 | 24 | M24 | 19 | 233 | 236 | 40000 |
| 11332/24 | 11333/24 | M24X225 | 33 | 225 | Ø 80 | 24 | M24 | 19 | 258 | 261 | 40000 |

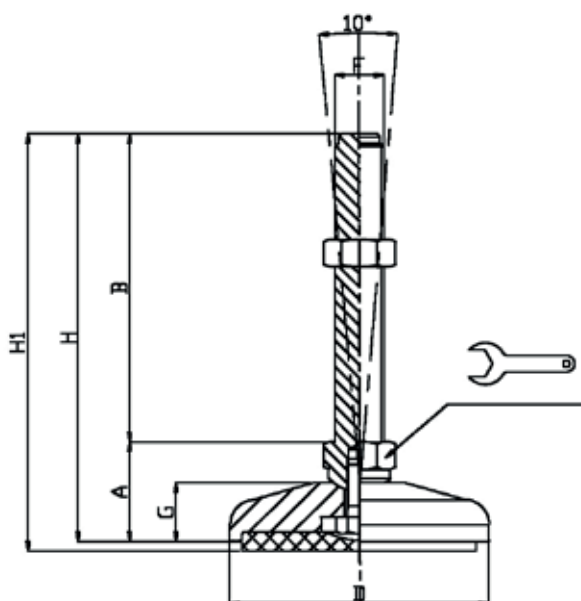
* Disponibile con Filettatura a passo fine. Aggiungere "/P2" al codice
Available with Thin pitch thread. Please, add "/P2" to the code


Piede in Acciaio Verniciato & Zincato

CARICHI PESANTI

Caratteristiche: BASE DAL PIENO Ø 100, STELO SNODATO 10°


Features: SOLID STEEL BASE Ø 100, 10° ARTICULATED STEM



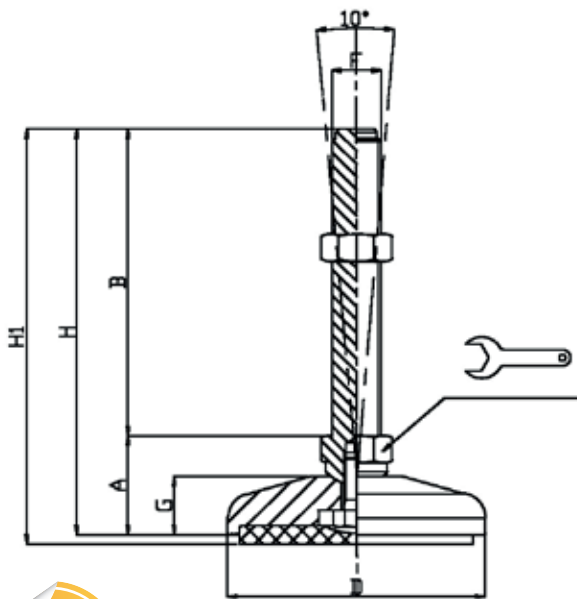
| CODICE - CODE | | descrizione description | DIMENSIONI PRINCIPALI - MAIN DIMENSIONS | | | | | | | | CARICO STATICO STATIC LOAD NEWTON |
|----------------------|-------------------------|----------------------------|---|-----|-------|---|-----|----|-----|-----|---|
| standard standard | antiscivolo antislip | | A | B | D |  | F | G | H | H1 | |
| 11346 | 11347 | M20X100 | 34 | 100 | Ø 100 | 24 | M20 | 20 | 134 | 137 | 40000 |
| 11350 | 11351 | M20X150 | 34 | 150 | Ø 100 | 24 | M20 | 20 | 184 | 187 | 40000 |
| 11354 | 11355 | M20X200 | 34 | 200 | Ø 100 | 24 | M20 | 20 | 234 | 237 | 40000 |
| 11356 | 11357 | M20X225 | 34 | 225 | Ø 100 | 24 | M20 | 20 | 259 | 262 | 40000 |
| 11346/24 | 11347/24 | M24X100 | 34 | 100 | Ø 100 | 24 | M24 | 20 | 134 | 137 | 45000 |
| * 11350/24 | 11351/24 | M24X150 | 34 | 150 | Ø 100 | 24 | M24 | 20 | 184 | 187 | 45000 |
| * 11354/24 | 11355/24 | M24X200 | 34 | 200 | Ø 100 | 24 | M24 | 20 | 234 | 237 | 45000 |
| 11356/24 | 11357/24 | M24X225 | 34 | 225 | Ø 100 | 24 | M24 | 20 | 259 | 262 | 45000 |
| 11346/30 | 11347/30 | M30X100 | 34 | 100 | Ø 100 | 30 | M30 | 20 | 134 | 137 | 50000 |
| * 11350/30 | 11351/30 | M30X150 | 34 | 150 | Ø 100 | 30 | M30 | 20 | 184 | 187 | 50000 |
| * 11354/30 | 11355/30 | M30X200 | 34 | 200 | Ø 100 | 30 | M30 | 20 | 234 | 237 | 50000 |
| 11356/30 | 11357/30 | M30X225 | 34 | 225 | Ø 100 | 30 | M30 | 20 | 259 | 262 | 50000 |


* Disponibile con Filettatura a passo fine. Aggiungere "/P2" al codice
Available with Thin pitch thread. Please, add "/P2" to the code



| CODICE - CODE | | descrizione description | DIMENSIONI PRINCIPALI - MAIN DIMENSIONS | | | | | | | | CARICO STATICO STATIC LOAD NEWTON |
|----------------------|-------------------------|----------------------------|---|-----|-------|---|-----|----|-----|-----|---|
| standard standard | antiscivolo antislip | | A | B | D |  | F | G | H | H1 | |
| 11370 | 11371 | M20X100 | 34 | 100 | Ø 100 | 24 | M20 | 20 | 134 | 137 | 40000 |
| 11374 | 11375 | M20X150 | 34 | 150 | Ø 100 | 24 | M20 | 20 | 184 | 187 | 40000 |
| 11378 | 11379 | M20X200 | 34 | 200 | Ø 100 | 24 | M20 | 20 | 234 | 237 | 40000 |
| 11380 | 11381 | M20X225 | 34 | 225 | Ø 100 | 24 | M20 | 20 | 259 | 262 | 40000 |
| 11370/24 | 11371/24 | M24X100 | 34 | 100 | Ø 100 | 24 | M24 | 20 | 134 | 137 | 45000 |
| * 11374/24 | 11375/24 | M24X150 | 34 | 150 | Ø 100 | 24 | M24 | 20 | 184 | 187 | 45000 |
| * 11378/24 | 11379/24 | M24X200 | 34 | 200 | Ø 100 | 24 | M24 | 20 | 234 | 237 | 45000 |
| 11380/24 | 11381/24 | M24X225 | 34 | 225 | Ø 100 | 24 | M24 | 20 | 259 | 262 | 45000 |
| 11370/30 | 11371/30 | M30X100 | 36 | 100 | Ø 100 | 30 | M30 | 20 | 136 | 139 | 50000 |
| * 11374/30 | 11375/30 | M30X150 | 36 | 150 | Ø 100 | 30 | M30 | 20 | 186 | 189 | 50000 |
| * 11378/30 | 11379/30 | M30X200 | 36 | 200 | Ø 100 | 30 | M30 | 20 | 236 | 239 | 50000 |
| 11380/30 | 11381/30 | M30X225 | 36 | 225 | Ø 100 | 30 | M30 | 20 | 261 | 264 | 50000 |


* Disponibile con Filettatura a passo fine. Aggiungere "/P2" al codice
Available with Thin pitch thread. Please, add "/P2" to the code



| CODICE - CODE | | descrizione description | DIMENSIONI PRINCIPALI - MAIN DIMENSIONS | | | | | | | | CARICO STATICO STATIC LOAD NEWTON |
|----------------------|-------------------------|----------------------------|---|-----|-------|---|-----|----|-----|-----|---|
| standard standard | antiscivolo antislip | | A | B | D |  | F | G | H | H1 | |
| 11394 | 11395 | M20X100 | 36 | 100 | Ø 120 | 24 | M20 | 22 | 136 | 139 | 45000 |
| 11398 | 11399 | M20X150 | 36 | 150 | Ø 120 | 24 | M20 | 22 | 186 | 189 | 45000 |
| 11402 | 11403 | M20X200 | 36 | 200 | Ø 120 | 24 | M20 | 22 | 236 | 239 | 45000 |
| 11404 | 11405 | M20X225 | 36 | 225 | Ø 120 | 24 | M20 | 22 | 261 | 264 | 45000 |
| 11394/24 | 11395/24 | M24X100 | 36 | 100 | Ø 120 | 24 | M24 | 22 | 136 | 139 | 50000 |
| * 11398/24 | 11399/24 | M24X150 | 36 | 150 | Ø 120 | 24 | M24 | 22 | 186 | 189 | 50000 |
| * 11402/24 | 11403/24 | M24X200 | 36 | 200 | Ø 120 | 24 | M24 | 22 | 236 | 239 | 50000 |
| 11404/24 | 11405/24 | M24X225 | 36 | 225 | Ø 120 | 24 | M24 | 22 | 261 | 264 | 50000 |
| 11394/30 | 11395/30 | M30X100 | 38 | 100 | Ø 120 | 30 | M30 | 22 | 138 | 141 | 60000 |
| * 11398/30 | 11399/30 | M30X150 | 38 | 150 | Ø 120 | 30 | M30 | 22 | 188 | 191 | 60000 |
| * 11402/30 | 11403/30 | M30X200 | 38 | 200 | Ø 120 | 30 | M30 | 22 | 238 | 241 | 60000 |
| 11404/30 | 11405/30 | M30X225 | 38 | 225 | Ø 120 | 30 | M30 | 22 | 263 | 266 | 60000 |

* Disponibile con Filettatura a passo fine. Aggiungere "/P2" al codice
Available with Thin pitch thread. Please, add "/P2" to the code

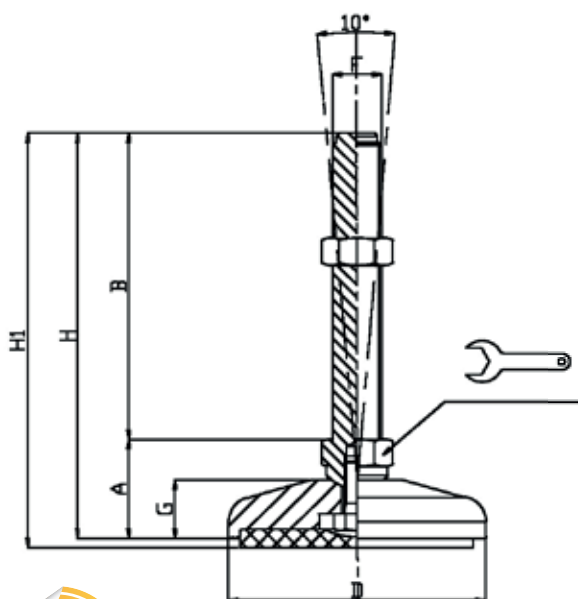



| CODICE - CODE | | descrizione description | DIMENSIONI PRINCIPALI - MAIN DIMENSIONS | | | | | | | | CARICO STATICO STATIC LOAD NEWTON |
|----------------------|-------------------------|----------------------------|---|-----|-------|---|-----|----|-----|-----|---|
| standard standard | antiscivolo antislip | | A | B | D |  | F | G | H | H1 | |
| 11418 | 11419 | M20X100 | 36 | 100 | Ø 120 | 24 | M20 | 22 | 136 | 139 | 45000 |
| 11422 | 11423 | M20X150 | 36 | 150 | Ø 120 | 24 | M20 | 22 | 186 | 189 | 45000 |
| 11426 | 11427 | M20X200 | 36 | 200 | Ø 120 | 24 | M20 | 22 | 236 | 239 | 50000 |
| 11428 | 11429 | M20X225 | 36 | 225 | Ø 120 | 24 | M20 | 22 | 261 | 264 | 50000 |
| 11418/24 | 11419/24 | M24X100 | 36 | 100 | Ø 120 | 24 | M24 | 22 | 136 | 139 | 50000 |
| * 11422/24 | 11423/24 | M24X150 | 36 | 150 | Ø 120 | 24 | M24 | 22 | 186 | 189 | 50000 |
| * 11426/24 | 11427/24 | M24X200 | 36 | 200 | Ø 120 | 24 | M24 | 22 | 236 | 239 | 50000 |
| 11428/24 | 11429/24 | M24X225 | 36 | 225 | Ø 120 | 24 | M24 | 22 | 261 | 264 | 50000 |
| 11418/30 | 11419/30 | M30X100 | 38 | 100 | Ø 120 | 30 | M30 | 22 | 138 | 141 | 60000 |
| * 11422/30 | 11423/30 | M30X150 | 38 | 150 | Ø 120 | 30 | M30 | 22 | 188 | 191 | 60000 |
| * 11426/30 | 11427/30 | M30X200 | 38 | 200 | Ø 120 | 30 | M30 | 22 | 238 | 241 | 60000 |
| 11428/30 | 11429/30 | M30X225 | 38 | 225 | Ø 120 | 30 | M30 | 22 | 263 | 266 | 60000 |

* Disponibile con Filettatura a passo fine. Aggiungere "/P2" al codice
Available with Thin pitch thread. Please, add "/P2" to the code

Caratteristiche: BASE DAL PIENO Ø 159, STELO SNODATO 10°


Features: SOLID STEEL BASE Ø 159, 10° ARTICULATED STEM



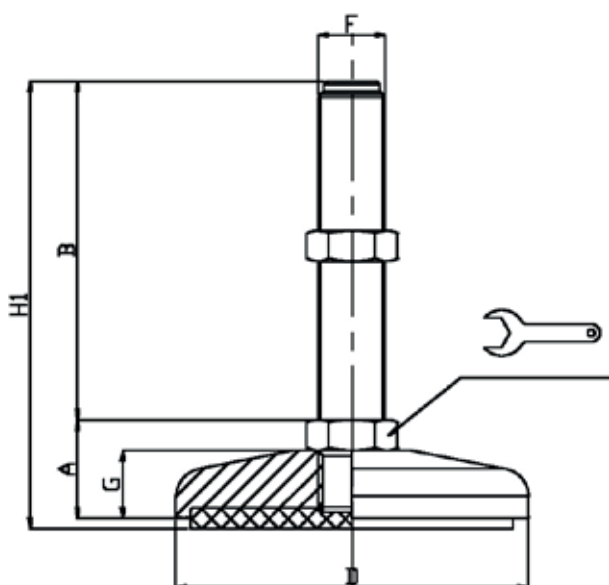
| CODICE - CODE | | descrizione description | DIMENSIONI PRINCIPALI - MAIN DIMENSIONS | | | | | | | | CARICO STATICO STATIC LOAD NEWTON |
|----------------------|-------------------------|----------------------------|---|-----|-------|---|-----|----|-----|-----|---|
| standard standard | antiscivolo antislip | | A | B | D |  | F | G | H | H1 | |
| 11442 | 11443 | M20X100 | 36 | 100 | Ø 159 | 24 | M20 | 23 | 136 | 139 | 50000 |
| 11446 | 11447 | M20X150 | 36 | 150 | Ø 159 | 24 | M20 | 23 | 186 | 189 | 50000 |
| 11450 | 11451 | M20X200 | 36 | 200 | Ø 159 | 24 | M20 | 23 | 236 | 239 | 50000 |
| 11452 | 11453 | M20X225 | 36 | 225 | Ø 159 | 24 | M20 | 23 | 261 | 264 | 50000 |
| 11442/24 | 11443/24 | M24X100 | 36 | 100 | Ø 159 | 24 | M24 | 23 | 136 | 139 | 60000 |
| * 11446/24 | 11447/24 | M24X150 | 36 | 150 | Ø 159 | 24 | M24 | 23 | 186 | 189 | 60000 |
| * 11450/24 | 11451/24 | M24X200 | 36 | 200 | Ø 159 | 24 | M24 | 23 | 236 | 239 | 60000 |
| 11452/24 | 11453/24 | M24X225 | 36 | 225 | Ø 159 | 24 | M24 | 23 | 261 | 264 | 60000 |
| 11442/30 | 11443/30 | M30X100 | 38 | 100 | Ø 159 | 30 | M30 | 23 | 138 | 141 | 70000 |
| * 11446/30 | 11447/30 | M30X150 | 38 | 150 | Ø 159 | 30 | M30 | 23 | 188 | 191 | 70000 |
| * 11450/30 | 11451/30 | M30X200 | 38 | 200 | Ø 159 | 30 | M30 | 23 | 238 | 241 | 70000 |
| 11452/30 | 11453/30 | M30X225 | 38 | 225 | Ø 159 | 30 | M30 | 23 | 263 | 266 | 70000 |

* Disponibile con Filettatura a passo fine. Aggiungere "/P2" al codice
Available with Thin pitch thread. Please, add "/P2" to the code



| CODICE - CODE | | descrizione description | DIMENSIONI PRINCIPALI - MAIN DIMENSIONS | | | | | | | | CARICO STATICO STATIC LOAD NEWTON |
|----------------------|-------------------------|----------------------------|---|-----|-------|---|-----|----|-----|-----|---|
| standard standard | antiscivolo antislip | | A | B | D |  | F | G | H | H1 | |
| 11466 | 11467 | M20X100 | 36 | 100 | Ø 159 | 24 | M20 | 23 | 136 | 139 | 50000 |
| 11470 | 11471 | M20X150 | 36 | 150 | Ø 159 | 24 | M20 | 23 | 186 | 189 | 50000 |
| 11474 | 11475 | M20X200 | 36 | 200 | Ø 159 | 24 | M20 | 23 | 236 | 239 | 50000 |
| 11476 | 11477 | M20X225 | 36 | 225 | Ø 159 | 24 | M20 | 23 | 261 | 264 | 50000 |
| 11466/24 | 11467/24 | M24X100 | 36 | 100 | Ø 159 | 24 | M24 | 23 | 136 | 139 | 60000 |
| * 11470/24 | 11471/24 | M24X150 | 36 | 150 | Ø 159 | 24 | M24 | 23 | 186 | 189 | 60000 |
| * 11474/24 | 11475/24 | M24X200 | 36 | 200 | Ø 159 | 24 | M24 | 23 | 236 | 239 | 60000 |
| 11476/24 | 11477/24 | M24X225 | 36 | 225 | Ø 159 | 24 | M24 | 23 | 261 | 264 | 60000 |
| 11466/30 | 11467/30 | M30X100 | 38 | 100 | Ø 159 | 30 | M30 | 23 | 138 | 141 | 70000 |
| * 11470/30 | 11471/30 | M30X150 | 38 | 150 | Ø 159 | 30 | M30 | 23 | 188 | 191 | 70000 |
| * 11474/30 | 11475/30 | M30X200 | 38 | 200 | Ø 159 | 30 | M30 | 23 | 238 | 241 | 70000 |
| 11476/30 | 11477/30 | M30X225 | 38 | 225 | Ø 159 | 30 | M30 | 23 | 263 | 266 | 70000 |

* Disponibile con Filettatura a passo fine. Aggiungere "/P2" al codice
Available with Thin pitch thread. Please, add "/P2" to the code



| CODICE - CODE antiscivolo - antislip | descrizione description | DIMENSIONI PRINCIPALI - MAIN DIMENSIONS | | | | | | | CARICO STATICO STATIC LOAD NEWTON |
|---|----------------------------|---|-----|------|----|-----|----|-----|---|
| | | A | B | D | | F | G | H1 | |
| 11491 | M16X100 | 28 | 100 | Ø 80 | 20 | M16 | 19 | 131 | 30000 |
| 11495 | M16X150 | 28 | 150 | Ø 80 | 20 | M16 | 19 | 181 | 30000 |
| 11499 | M16X200 | 28 | 200 | Ø 80 | 20 | M16 | 19 | 231 | 30000 |
| 11539 | M20X100 | 28 | 100 | Ø 80 | 24 | M20 | 19 | 131 | 35000 |
| 11543 | M20X150 | 28 | 150 | Ø 80 | 24 | M20 | 19 | 181 | 35000 |
| 11547 | M20X200 | 28 | 200 | Ø 80 | 24 | M20 | 19 | 231 | 35000 |
| 11549 | M20X225 | 28 | 225 | Ø 80 | 24 | M20 | 19 | 256 | 35000 |
| 11539/24 | M24X100 | 28 | 100 | Ø 80 | 24 | M24 | 19 | 131 | 40000 |
| * 11543/24 | M24X150 | 28 | 150 | Ø 80 | 24 | M24 | 19 | 181 | 40000 |
| * 11547/24 | M24X200 | 28 | 200 | Ø 80 | 24 | M24 | 19 | 231 | 40000 |
| 11549/24 | M24X225 | 28 | 225 | Ø 80 | 24 | M24 | 19 | 256 | 40000 |

* Disponibile con Filettatura a passo fine. Aggiungere "/P2" al codice
Available with Thin pitch thread. Please, add "/P2" to the code



| CODICE - CODE antiscivolo - antislip | descrizione description | DIMENSIONI PRINCIPALI - MAIN DIMENSIONS | | | | | | | CARICO STATICO STATIC LOAD NEWTON |
|---|----------------------------|---|-----|------|----|-----|----|-----|---|
| | | A | B | D | | F | G | H1 | |
| 11515 | M16X100 | 28 | 100 | Ø 80 | 20 | M16 | 19 | 131 | 30000 |
| 11519 | M16X150 | 28 | 150 | Ø 80 | 20 | M16 | 19 | 181 | 30000 |
| 11523 | M16X200 | 28 | 200 | Ø 80 | 20 | M16 | 19 | 231 | 30000 |
| 11563 | M20X100 | 28 | 100 | Ø 80 | 24 | M20 | 19 | 131 | 35000 |
| 11567 | M20X150 | 28 | 150 | Ø 80 | 24 | M20 | 19 | 181 | 35000 |
| 11571 | M20X200 | 28 | 200 | Ø 80 | 24 | M20 | 19 | 231 | 35000 |
| 11573 | M20X225 | 28 | 225 | Ø 80 | 24 | M20 | 19 | 256 | 35000 |
| 11563/24 | M24X100 | 28 | 100 | Ø 80 | 24 | M24 | 19 | 131 | 40000 |
| * 11567/24 | M24X150 | 28 | 150 | Ø 80 | 24 | M24 | 19 | 181 | 40000 |
| * 11571/24 | M24X200 | 28 | 200 | Ø 80 | 24 | M24 | 19 | 231 | 40000 |
| 11573/24 | M24X225 | 28 | 225 | Ø 80 | 24 | M24 | 19 | 256 | 40000 |

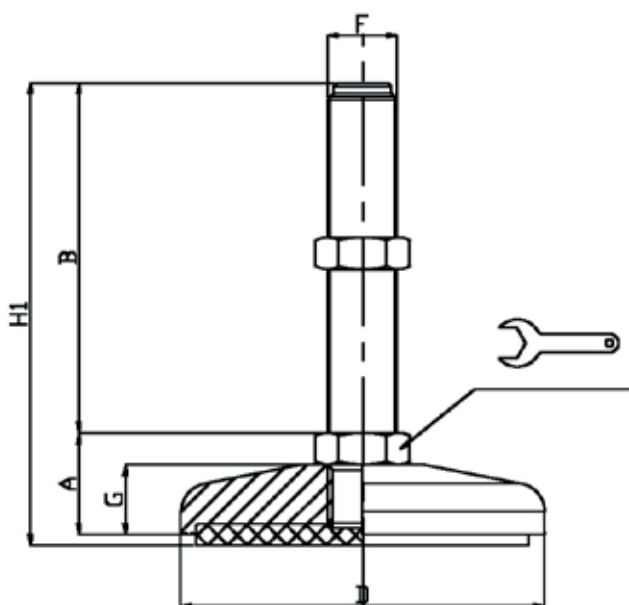
* Disponibile con Filettatura a passo fine. Aggiungere "/P2" al codice
Available with Thin pitch thread. Please, add "/P2" to the code

Piede in Acciaio Verniciato & Zincato

CARICHI PESANTI

Caratteristiche: BASE DAL PIENO Ø 100, STELO FISSO

Features: SOLID STEEL BASE Ø 100, FIX STEM



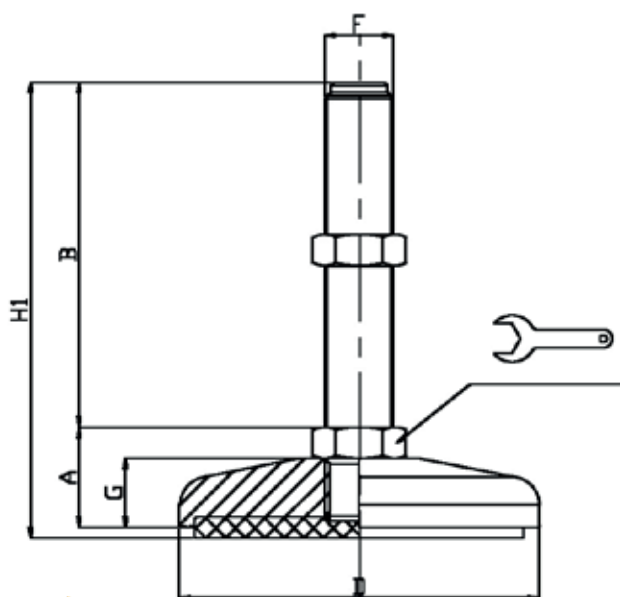
| CODICE - CODE | descrizione description | DIMENSIONI PRINCIPALI - MAIN DIMENSIONS | | | | | | | CARICO STATICO STATIC LOAD NEWTON |
|---------------|----------------------------|---|-----|-------|----|-----|----|-----|---|
| | | A | B | D | | F | G | H1 | |
| 11587 | M16X100 | 30 | 100 | Ø 100 | 24 | M16 | 20 | 133 | 35000 |
| 11591 | M16X150 | 30 | 150 | Ø 100 | 24 | M16 | 20 | 183 | 35000 |
| 11595 | M16X200 | 30 | 200 | Ø 100 | 24 | M16 | 20 | 233 | 35000 |
| 11643 | M20X100 | 30 | 100 | Ø 100 | 24 | M20 | 20 | 133 | 40000 |
| 11647 | M20X150 | 30 | 150 | Ø 100 | 24 | M20 | 20 | 186 | 40000 |
| 11651 | M20X200 | 30 | 200 | Ø 100 | 24 | M20 | 20 | 233 | 40000 |
| 11655 | M20X250 | 30 | 250 | Ø 100 | 24 | M20 | 20 | 283 | 40000 |
| 11699 | M24X100 | 30 | 100 | Ø 100 | 24 | M24 | 20 | 133 | 45000 |
| * 11703 | M24X150 | 30 | 150 | Ø 100 | 24 | M24 | 20 | 183 | 45000 |
| * 11707 | M24X200 | 30 | 200 | Ø 100 | 24 | M24 | 20 | 233 | 45000 |
| 11711 | M24X250 | 30 | 250 | Ø 100 | 24 | M24 | 20 | 283 | 45000 |

* Disponibile con Filettatura a passo fine. Aggiungere "/P2" al codice
Available with Thin pitch thread. Please, add "/P2" to the code



| CODICE - CODE | descrizione description | DIMENSIONI PRINCIPALI - MAIN DIMENSIONS | | | | | | | CARICO STATICO STATIC LOAD NEWTON |
|---------------|----------------------------|---|-----|-------|----|-----|----|-----|---|
| | | A | B | D | | F | G | H1 | |
| 11615 | M16X100 | 30 | 100 | Ø 100 | 24 | M16 | 20 | 133 | 35000 |
| 11619 | M16X150 | 30 | 150 | Ø 100 | 24 | M16 | 20 | 183 | 35000 |
| 11623 | M16X200 | 30 | 200 | Ø 100 | 24 | M16 | 20 | 233 | 35000 |
| 11671 | M20X100 | 30 | 100 | Ø 100 | 24 | M20 | 20 | 133 | 40000 |
| 11675 | M20X150 | 30 | 150 | Ø 100 | 24 | M20 | 20 | 183 | 40000 |
| 11679 | M20X200 | 30 | 200 | Ø 100 | 24 | M20 | 20 | 233 | 40000 |
| 11683 | M20X250 | 30 | 250 | Ø 100 | 24 | M20 | 20 | 283 | 40000 |
| 11727 | M24X100 | 30 | 100 | Ø 100 | 24 | M24 | 20 | 133 | 45000 |
| * 11731 | M24X150 | 30 | 150 | Ø 100 | 24 | M24 | 20 | 183 | 45000 |
| * 11735 | M24X200 | 30 | 200 | Ø 100 | 24 | M24 | 20 | 233 | 45000 |
| 11739 | M24X250 | 30 | 250 | Ø 100 | 24 | M24 | 20 | 283 | 45000 |

* Disponibile con Filettatura a passo fine. Aggiungere "/P2" al codice
Available with Thin pitch thread. Please, add "/P2" to the code



| CODICE - CODE | descrizione description | DIMENSIONI PRINCIPALI - MAIN DIMENSIONS | | | | | | | CARICO STATICO STATIC LOAD NEWTON |
|---------------|----------------------------|---|-----|-------|----|-----|----|-----|---|
| | | A | B | D | | F | G | H1 | |
| 11755 | M20X100 | 32 | 100 | Ø 120 | 24 | M20 | 22 | 135 | 45000 |
| 11759 | M20X150 | 32 | 150 | Ø 120 | 24 | M20 | 22 | 185 | 45000 |
| 11763 | M20X200 | 32 | 200 | Ø 120 | 24 | M20 | 22 | 235 | 45000 |
| 11767 | M20X250 | 32 | 250 | Ø 120 | 24 | M20 | 22 | 285 | 45000 |
| 11811 | M24X100 | 32 | 100 | Ø 120 | 24 | M24 | 22 | 135 | 50000 |
| * 11815 | M24X150 | 32 | 150 | Ø 120 | 24 | M24 | 22 | 185 | 50000 |
| * 11819 | M24X200 | 32 | 200 | Ø 120 | 24 | M24 | 22 | 235 | 50000 |
| 11823 | M24X250 | 32 | 250 | Ø 120 | 24 | M24 | 22 | 285 | 50000 |
| 11867 | M30X100 | 32 | 100 | Ø 120 | 30 | M30 | 22 | 135 | 60000 |
| * 11871 | M30X150 | 32 | 150 | Ø 120 | 30 | M30 | 22 | 185 | 60000 |
| * 11875 | M30X200 | 32 | 200 | Ø 120 | 30 | M30 | 22 | 235 | 60000 |
| 11879 | M30X250 | 32 | 250 | Ø 120 | 30 | M30 | 22 | 285 | 60000 |

* Disponibile con Filettatura a passo fine. Aggiungere "/P2" al codice
Available with Thin pitch thread. Please, add "/P2" to the code

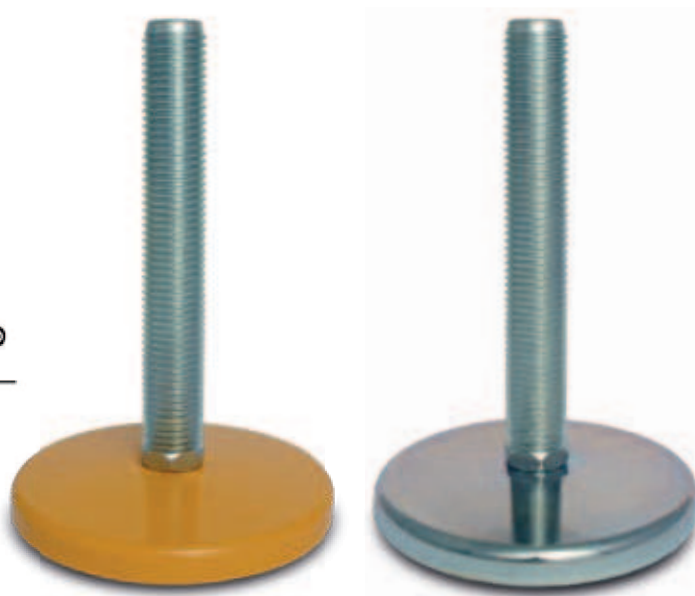
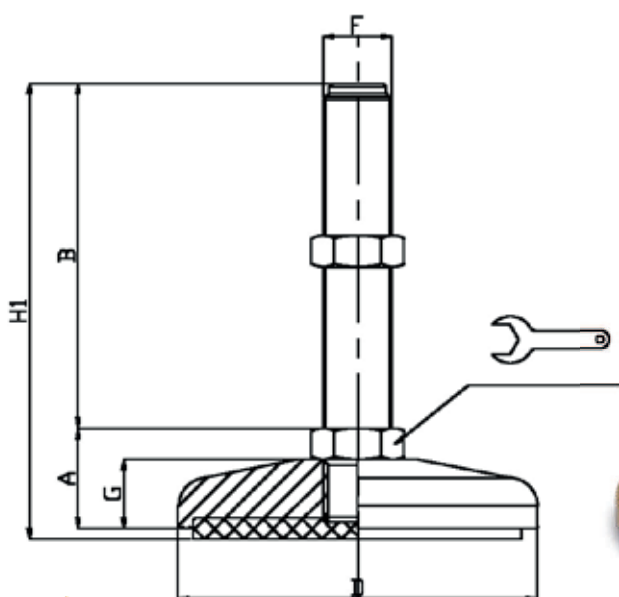



| CODICE - CODE | descrizione description | DIMENSIONI PRINCIPALI - MAIN DIMENSIONS | | | | | | | CARICO STATICO STATIC LOAD NEWTON |
|---------------|----------------------------|---|-----|-------|----|-----|----|-----|---|
| | | A | B | D | | F | G | H1 | |
| 11615 | M16X100 | 30 | 100 | Ø 100 | 24 | M16 | 20 | 133 | 35000 |
| 11619 | M16X150 | 30 | 150 | Ø 100 | 24 | M16 | 20 | 183 | 35000 |
| 11623 | M16X200 | 30 | 200 | Ø 100 | 24 | M16 | 20 | 233 | 35000 |
| 11671 | M20X100 | 30 | 100 | Ø 100 | 24 | M20 | 20 | 133 | 40000 |
| 11675 | M20X150 | 30 | 150 | Ø 100 | 24 | M20 | 20 | 183 | 40000 |
| 11679 | M20X200 | 30 | 200 | Ø 100 | 24 | M20 | 20 | 233 | 40000 |
| 11683 | M20X250 | 30 | 250 | Ø 100 | 24 | M20 | 20 | 283 | 40000 |
| 11727 | M24X100 | 30 | 100 | Ø 100 | 24 | M24 | 20 | 133 | 45000 |
| * 11731 | M24X150 | 30 | 150 | Ø 100 | 24 | M24 | 20 | 183 | 45000 |
| * 11735 | M24X200 | 30 | 200 | Ø 100 | 24 | M24 | 20 | 233 | 45000 |
| 11739 | M24X250 | 30 | 250 | Ø 100 | 24 | M24 | 20 | 283 | 45000 |

* Disponibile con Filettatura a passo fine. Aggiungere "/P2" al codice
Available with Thin pitch thread. Please, add "/P2" to the code

Caratteristiche: BASE DAL PIENO Ø 159, STELO FISSO


Features: SOLID STEEL BASE Ø 159, FIX STEM



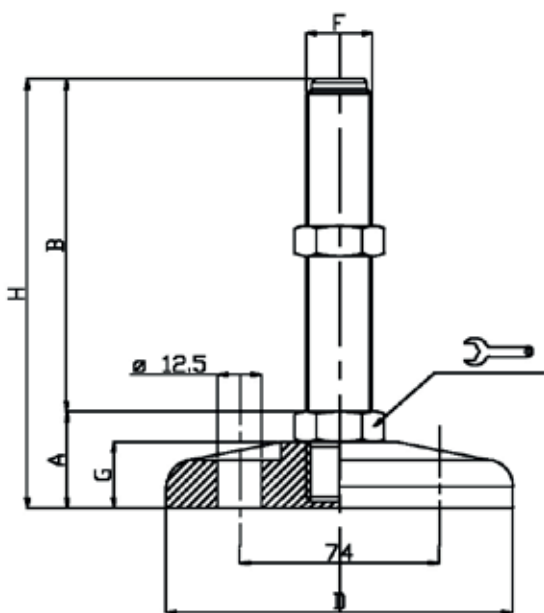
| CODICE - CODE | descrizione description | DIMENSIONI PRINCIPALI - MAIN DIMENSIONS | | | | | | | CARICO STATICO STATIC LOAD NEWTON |
|---------------|----------------------------|---|-----|-------|---|-----|----|-----|---|
| | | A | B | D |  | F | G | H1 | |
| 11923 | M20X100 | 33 | 100 | Ø 159 | 24 | M20 | 23 | 136 | 50000 |
| 11927 | M20X150 | 33 | 150 | Ø 159 | 24 | M20 | 23 | 186 | 50000 |
| 11931 | M20X200 | 33 | 200 | Ø 159 | 24 | M20 | 23 | 236 | 50000 |
| 11935 | M20X250 | 33 | 250 | Ø 159 | 24 | M20 | 23 | 286 | 50000 |
| 11979 | M24X100 | 33 | 100 | Ø 159 | 24 | M24 | 23 | 136 | 60000 |
| * 11983 | M24X150 | 33 | 150 | Ø 159 | 24 | M24 | 23 | 186 | 60000 |
| * 11987 | M24X200 | 33 | 200 | Ø 159 | 24 | M24 | 23 | 236 | 60000 |
| 11991 | M24X250 | 33 | 250 | Ø 159 | 24 | M24 | 23 | 286 | 60000 |
| 12035 | M30X100 | 33 | 100 | Ø 159 | 30 | M30 | 23 | 136 | 70000 |
| * 12039 | M30X150 | 33 | 150 | Ø 159 | 30 | M30 | 23 | 186 | 70000 |
| * 12043 | M30X200 | 33 | 200 | Ø 159 | 30 | M30 | 23 | 236 | 70000 |
| 12047 | M30X250 | 33 | 250 | Ø 159 | 30 | M30 | 23 | 286 | 70000 |


* Disponibile con Filettatura a passo fine. Aggiungere "/P2" al codice
Available with Thin pitch thread. Please, add "/P2" to the code



| CODICE - CODE | descrizione description | DIMENSIONI PRINCIPALI - MAIN DIMENSIONS | | | | | | | CARICO STATICO STATIC LOAD NEWTON |
|---------------|----------------------------|---|-----|-------|---|-----|----|-----|---|
| | | A | B | D |  | F | G | H1 | |
| 11951 | M20X100 | 33 | 100 | Ø 159 | 24 | M20 | 23 | 136 | 50000 |
| 11955 | M20X150 | 33 | 150 | Ø 159 | 24 | M20 | 23 | 186 | 50000 |
| 11959 | M20X200 | 33 | 200 | Ø 159 | 24 | M20 | 23 | 236 | 50000 |
| 11963 | M20X250 | 33 | 250 | Ø 159 | 24 | M20 | 23 | 286 | 50000 |
| 12007 | M24X100 | 33 | 100 | Ø 159 | 24 | M24 | 23 | 136 | 60000 |
| * 12011 | M24X150 | 33 | 150 | Ø 159 | 24 | M24 | 23 | 186 | 60000 |
| * 12015 | M24X200 | 33 | 200 | Ø 159 | 24 | M24 | 23 | 236 | 60000 |
| 12019 | M24X250 | 33 | 250 | Ø 159 | 24 | M24 | 23 | 286 | 60000 |
| 12063 | M30X100 | 33 | 100 | Ø 159 | 30 | M30 | 23 | 136 | 70000 |
| * 12067 | M30X150 | 33 | 150 | Ø 159 | 30 | M30 | 23 | 186 | 70000 |
| * 12071 | M30X200 | 33 | 200 | Ø 159 | 30 | M30 | 23 | 236 | 70000 |
| 12075 | M30X250 | 33 | 250 | Ø 159 | 30 | M30 | 23 | 286 | 70000 |


* Disponibile con Filettatura a passo fine. Aggiungere "/P2" al codice
Available with Thin pitch thread. Please, add "/P2" to the code



| CODICE - CODE | | descrizione description | DIMENSIONI PRINCIPALI - MAIN DIMENSIONS | | | | | | | CARICO STATICO STATIC LOAD NEWTON | |
|---------------|-------------------------|----------------------------|---|-----|-------|---|-----|-----|-----|---|-------|
| standard | antiscivolo antislip | | A | B | D |  | F | G | H | | |
| 12090 | 12090/G | M16X100 | 29 | 100 | Ø 100 | 24 | M16 | 20 | 129 | 35000 | |
| 12094 | 12094/G | M16X150 | 29 | 150 | Ø 100 | 24 | M16 | 20 | 179 | 35000 | |
| 12098 | 12098/G | M16X200 | 29 | 200 | Ø 100 | 24 | M16 | 20 | 229 | 35000 | |
| 12146 | 12146/G | M20X100 | 29 | 100 | Ø 100 | 24 | M20 | 20 | 129 | 40000 | |
| 12150 | 12150/G | M20X150 | 29 | 150 | Ø 100 | 24 | M20 | 20 | 179 | 40000 | |
| 12154 | 12154/G | M20X200 | 29 | 200 | Ø 100 | 24 | M20 | 20 | 229 | 40000 | |
| 12158 | 12158/G | M20X250 | 29 | 250 | Ø 100 | 24 | M20 | 20 | 279 | 40000 | |
| 12202 | 12202/G | M24X100 | 29 | 100 | Ø 100 | 24 | M24 | 20 | 129 | 45000 | |
| * | 12206 | 12206/G | M24X150 | 29 | 150 | Ø 100 | 24 | M24 | 20 | 179 | 45000 |
| * | 12210 | 12210/G | M24X200 | 29 | 200 | Ø 100 | 24 | M24 | 20 | 229 | 45000 |
| | 12214 | 12214/G | M24X250 | 29 | 250 | Ø 100 | 24 | M24 | 20 | 279 | 45000 |

* Disponibile con Filettatura a passo fine. Aggiungere "/P2" al codice
Available with Thin pitch thread. Please, add "/P2" to the code



| CODICE - CODE | | descrizione description | DIMENSIONI PRINCIPALI - MAIN DIMENSIONS | | | | | | | CARICO STATICO STATIC LOAD NEWTON | |
|---------------|-------------------------|----------------------------|---|-----|-------|---|-----|-----|-----|---|-------|
| standard | antiscivolo antislip | | A | B | D |  | F | G | H | | |
| 12118 | 12118/G | M16X100 | 29 | 100 | Ø 100 | 24 | M16 | 20 | 129 | 35000 | |
| 12122 | 12122/G | M16X150 | 29 | 150 | Ø 100 | 24 | M16 | 20 | 179 | 35000 | |
| 12126 | 12126/G | M16X200 | 29 | 200 | Ø 100 | 24 | M16 | 20 | 229 | 35000 | |
| 12174 | 12174/G | M20X100 | 29 | 100 | Ø 100 | 24 | M20 | 20 | 129 | 40000 | |
| 12178 | 12178/G | M20X150 | 29 | 150 | Ø 100 | 24 | M20 | 20 | 179 | 40000 | |
| 12182 | 12182/G | M20X200 | 29 | 200 | Ø 100 | 24 | M20 | 20 | 229 | 40000 | |
| 12186 | 12186/G | M20X250 | 29 | 250 | Ø 100 | 24 | M20 | 20 | 279 | 40000 | |
| 12230 | 12230/G | M24X100 | 29 | 100 | Ø 100 | 24 | M24 | 20 | 129 | 45000 | |
| * | 12234 | 12234/G | M24X150 | 29 | 150 | Ø 100 | 24 | M24 | 20 | 179 | 45000 |
| * | 12238 | 12238/G | M24X200 | 29 | 200 | Ø 100 | 24 | M24 | 20 | 229 | 45000 |
| | 12242 | 12242/G | M24X250 | 29 | 250 | Ø 100 | 24 | M24 | 20 | 279 | 45000 |

* Disponibile con Filettatura a passo fine. Aggiungere "/P2" al codice
Available with Thin pitch thread. Please, add "/P2" to the code

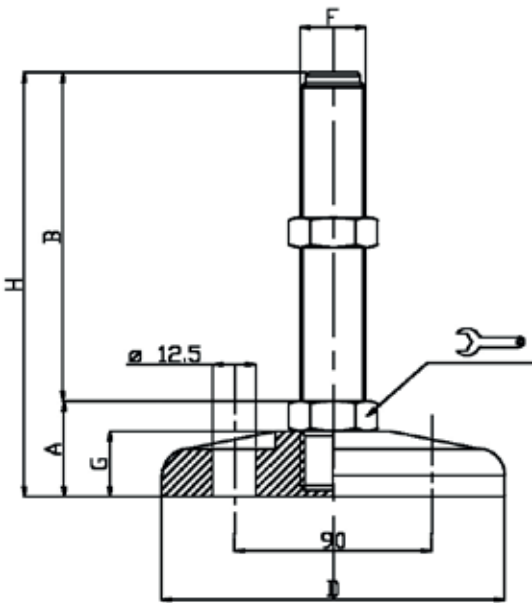
Piede in Acciaio Verniciato & Zincato

CARICHI PESANTI



Caratteristiche: BASE DAL PIENO CON 2 FORI Ø 120, STELO FISSO

Features: SOLID STEEL BASE Ø 120 WITH 2 BORES, FIX STEM



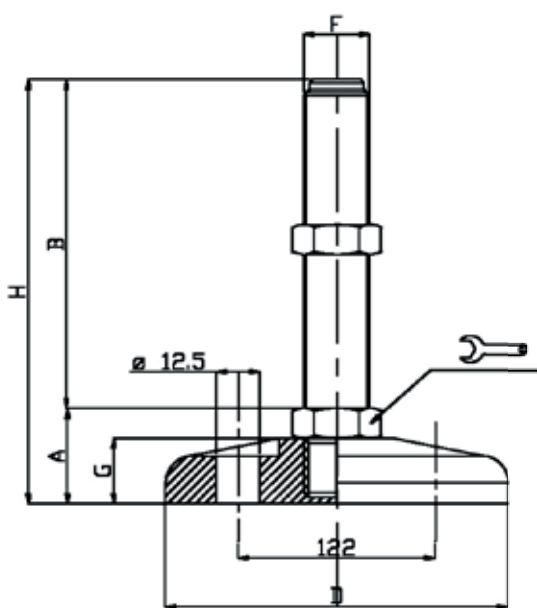
| CODICE - CODE | | descrizione description | DIMENSIONI PRINCIPALI - MAIN DIMENSIONS | | | | | | | CARICO STATICO STATIC LOAD NEWTON |
|---------------|-------------------------|----------------------------|---|-----|-------|----|-----|----|-----|---|
| standard | antiscivolo antislip | | A | B | D | | F | G | H | |
| 12314 | 12314/G | M20X100 | 31 | 100 | Ø 120 | 24 | M20 | 22 | 131 | 45000 |
| 12318 | 12318/G | M20X150 | 31 | 150 | Ø 120 | 24 | M20 | 22 | 181 | 45000 |
| 12322 | 12322/G | M20X200 | 31 | 200 | Ø 120 | 24 | M20 | 22 | 231 | 45000 |
| 12326 | 12326/G | M20X250 | 31 | 250 | Ø 120 | 24 | M20 | 22 | 281 | 45000 |
| 12370 | 12370/G | M24X100 | 31 | 100 | Ø 120 | 24 | M24 | 22 | 131 | 50000 |
| * 12374 | 12374/G | M24X150 | 31 | 150 | Ø 120 | 24 | M24 | 22 | 181 | 50000 |
| * 12378 | 12378/G | M24X200 | 31 | 200 | Ø 120 | 24 | M24 | 22 | 231 | 50000 |
| 12382 | 12382/G | M24X250 | 31 | 250 | Ø 120 | 24 | M24 | 22 | 281 | 50000 |
| 12370/30 | 12370/30/G | M30X100 | 31 | 100 | Ø 120 | 30 | M30 | 22 | 131 | 60000 |
| * 12374/30 | 12374/30/G | M30X150 | 31 | 150 | Ø 120 | 30 | M30 | 22 | 181 | 60000 |
| * 12378/30 | 12378/30/G | M30X200 | 31 | 200 | Ø 120 | 30 | M30 | 22 | 231 | 60000 |
| 12382/30 | 12382/30/G | M30X250 | 31 | 250 | Ø 120 | 30 | M30 | 22 | 281 | 60000 |


* Disponibile con Filettatura a passo fine. Aggiungere "/P2" al codice
Available with Thin pitch thread. Please, add "/P2" to the code



| CODICE - CODE | | descrizione description | DIMENSIONI PRINCIPALI - MAIN DIMENSIONS | | | | | | | CARICO STATICO STATIC LOAD NEWTON |
|---------------|-------------------------|----------------------------|---|-----|-------|----|-----|----|-----|---|
| standard | antiscivolo antislip | | A | B | D | | F | G | H | |
| 12342 | 12342/G | M20X100 | 31 | 100 | Ø 120 | 24 | M20 | 22 | 131 | 45000 |
| 12346 | 12346/G | M20X150 | 31 | 150 | Ø 120 | 24 | M20 | 22 | 181 | 45000 |
| 12350 | 12350/G | M20X200 | 31 | 200 | Ø 120 | 24 | M20 | 22 | 231 | 45000 |
| 12354 | 12354/G | M20X250 | 31 | 250 | Ø 120 | 24 | M20 | 22 | 281 | 45000 |
| 12398 | 12398/G | M24X100 | 31 | 100 | Ø 120 | 24 | M24 | 22 | 131 | 50000 |
| * 12402 | 12402/G | M24X150 | 31 | 150 | Ø 120 | 24 | M24 | 22 | 181 | 50000 |
| * 12406 | 12406/G | M24X200 | 31 | 200 | Ø 120 | 24 | M24 | 22 | 231 | 50000 |
| 12410 | 12410/G | M24X250 | 31 | 250 | Ø 120 | 24 | M24 | 22 | 281 | 50000 |
| 12398/30 | 12398/30/G | M30X100 | 31 | 100 | Ø 120 | 30 | M30 | 22 | 131 | 60000 |
| * 12402/30 | 12402/30/G | M30X150 | 31 | 150 | Ø 120 | 30 | M30 | 22 | 181 | 60000 |
| * 12406/30 | 12406/30/G | M30X200 | 31 | 200 | Ø 120 | 30 | M30 | 22 | 231 | 60000 |
| 12410/30 | 12410/30/G | M30X250 | 31 | 250 | Ø 120 | 30 | M30 | 22 | 281 | 60000 |


* Disponibile con Filettatura a passo fine. Aggiungere "/P2" al codice
Available with Thin pitch thread. Please, add "/P2" to the code



| CODICE - CODE | | descrizione description | DIMENSIONI PRINCIPALI - MAIN DIMENSIONS | | | | | | | CARICO STATICO STATIC LOAD NEWTON |
|----------------------|-------------------------|----------------------------|---|-----|-------|---|-----|----|-----|---|
| standard standard | antiscivolo antislip | | A | B | D |  | F | G | H | |
| 12426 | 12426/G | M20X100 | 32 | 100 | Ø 159 | 24 | M20 | 23 | 132 | 50000 |
| 12430 | 12430/G | M20X150 | 32 | 150 | Ø 159 | 24 | M20 | 23 | 182 | 50000 |
| 12434 | 12434/G | M20X200 | 32 | 200 | Ø 159 | 24 | M20 | 23 | 232 | 50000 |
| 12438 | 12438/G | M20X250 | 32 | 250 | Ø 159 | 24 | M20 | 23 | 282 | 50000 |
| 12482 | 12482/G | M24X100 | 32 | 100 | Ø 159 | 24 | M24 | 23 | 132 | 60000 |
| * 12486 | 12486/G | M24X150 | 32 | 150 | Ø 159 | 24 | M24 | 23 | 182 | 60000 |
| * 12490 | 12490/G | M24X200 | 32 | 200 | Ø 159 | 24 | M24 | 23 | 232 | 60000 |
| 12494 | 12494/G | M24X250 | 32 | 250 | Ø 159 | 24 | M24 | 23 | 282 | 60000 |
| 12538 | 12538/G | M30X100 | 32 | 100 | Ø 159 | 30 | M30 | 23 | 132 | 70000 |
| * 12542 | 12542/G | M30X150 | 32 | 150 | Ø 159 | 30 | M30 | 23 | 182 | 70000 |
| * 12546 | 12546/G | M30X200 | 32 | 200 | Ø 159 | 30 | M30 | 23 | 232 | 70000 |
| 12550 | 12550/G | M30X250 | 32 | 250 | Ø 159 | 30 | M30 | 23 | 282 | 70000 |

* Disponibile con Filettatura a passo fine. Aggiungere "/P2" al codice
Available with Thin pitch thread. Please, add "/P2" to the code



| CODICE - CODE | | descrizione description | DIMENSIONI PRINCIPALI - MAIN DIMENSIONS | | | | | | | CARICO STATICO STATIC LOAD NEWTON |
|----------------------|-------------------------|----------------------------|---|-----|-------|---|-----|----|-----|---|
| standard standard | antiscivolo antislip | | A | B | D |  | F | G | H | |
| 12454 | 12454/G | M20X100 | 32 | 100 | Ø 159 | 24 | M20 | 23 | 132 | 50000 |
| 12458 | 12458/G | M20X150 | 32 | 150 | Ø 159 | 24 | M20 | 23 | 182 | 50000 |
| 12462 | 12462/G | M20X200 | 32 | 200 | Ø 159 | 24 | M20 | 23 | 232 | 50000 |
| 12466 | 12466/G | M20X250 | 32 | 250 | Ø 159 | 24 | M20 | 23 | 282 | 50000 |
| 12510 | 12510/G | M24X100 | 32 | 100 | Ø 159 | 24 | M24 | 23 | 132 | 60000 |
| * 12514 | 12514/G | M24X150 | 32 | 150 | Ø 159 | 24 | M24 | 23 | 182 | 60000 |
| * 12518 | 12518/G | M24X200 | 32 | 200 | Ø 159 | 24 | M24 | 23 | 232 | 60000 |
| 12522 | 12522/G | M24X250 | 32 | 250 | Ø 159 | 24 | M24 | 23 | 282 | 60000 |
| 12566 | 12566/G | M30X100 | 32 | 100 | Ø 159 | 30 | M30 | 23 | 132 | 70000 |
| * 12570 | 12570/G | M30X150 | 32 | 150 | Ø 159 | 30 | M30 | 23 | 182 | 70000 |
| * 12574 | 12574/G | M30X200 | 32 | 200 | Ø 159 | 30 | M30 | 23 | 232 | 70000 |
| 12578 | 12578/G | M30X250 | 32 | 250 | Ø 159 | 30 | M30 | 23 | 282 | 70000 |

* Disponibile con Filettatura a passo fine. Aggiungere "/P2" al codice
Available with Thin pitch thread. Please, add "/P2" to the code